



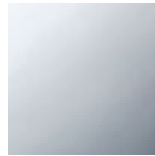
## Sink - IMO

Single-lever lavatory mixer with extended shank without drain - polished chrome

Article number: 33 537 670-00 0010



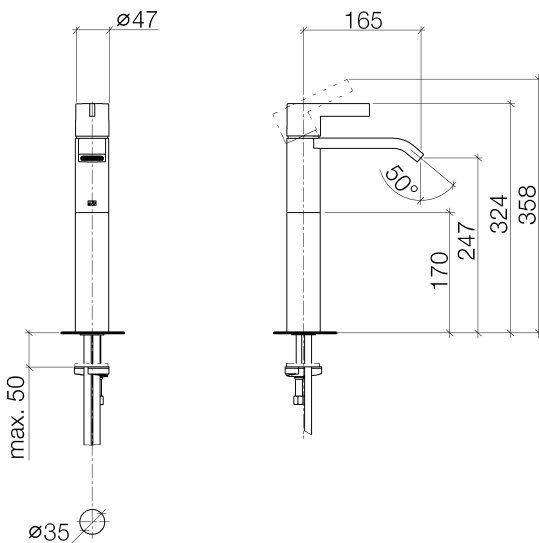
- 6-1/2" Projection
- Rigid spout
- Rectangular aerated stream
- Total height 14-1/8"
- Height to aerator/spout outlet 9-3/4"
- 1-3/8" hole diameter
- 2x 3/8" US flexible supply lines
- Water flow rate limited to max. 1.2 gpm
- lead-free



polished chrome



## Dimensional drawing



All dimensions in mm / inch = mm x 0,0394

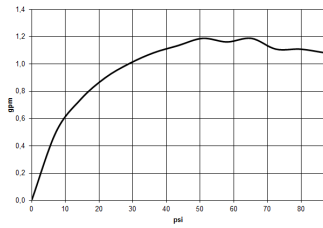


## Sink - IMO

Single-lever lavatory mixer with extended shank without drain - polished chrome

Article number: 33 537 670-00 0010

### Flow rate chart





## Sink - IMO

Single-lever lavatory mixer with extended shank without drain - polished chrome

Article number: 33 537 670-00 0010

## Other surface finishes



platinum matte

33 537 670-06 0010

More custom finish options are available via special production (xTra Service). Please see our finish matrix for availability and pricing or contact a Dornbracht representative.